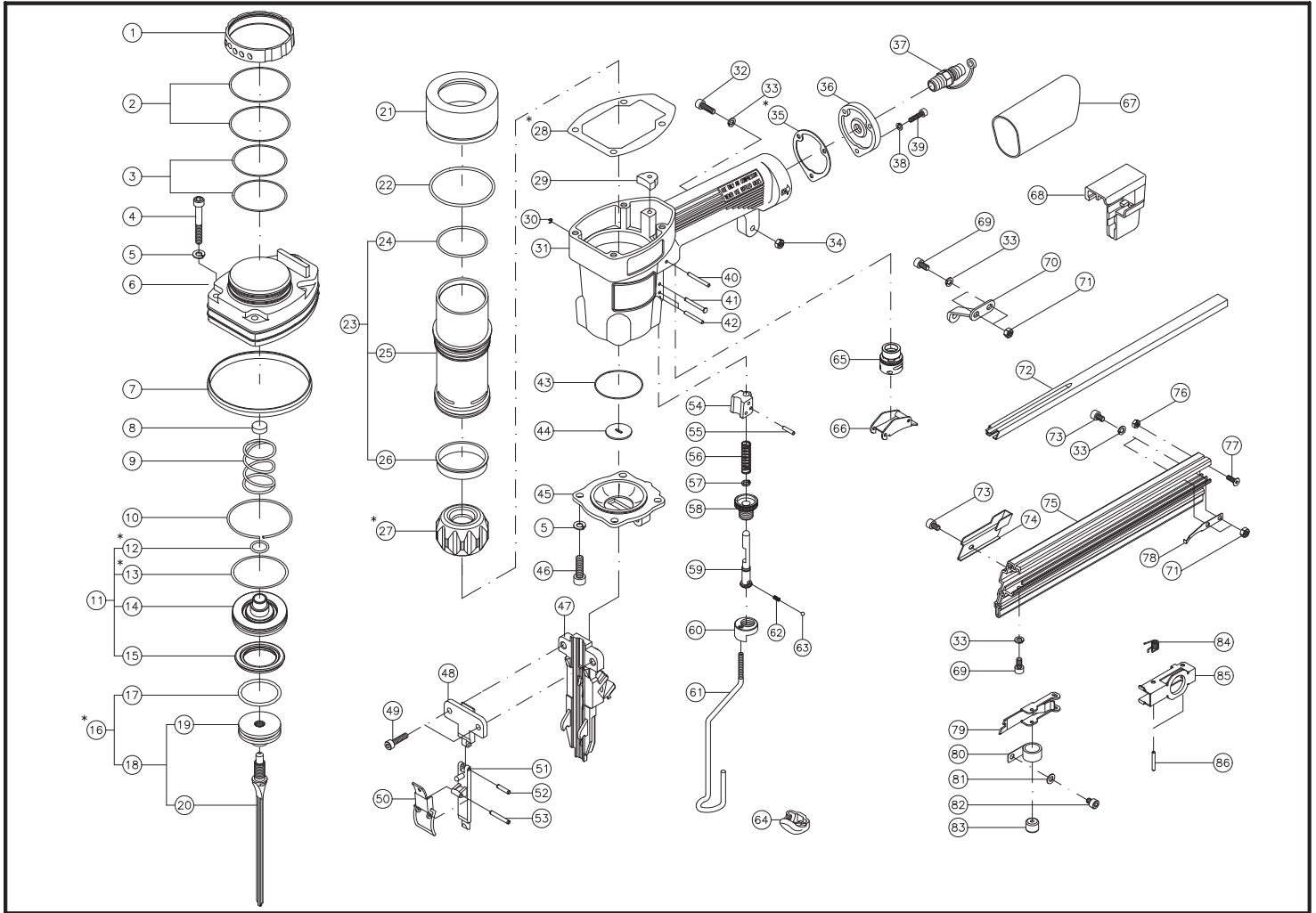




10 - 2010
MODEL AF633
FINISHING AIR NAILER



Item No.	Part No.	Description	Qty	Unit
1	A0304-0311	EXHAUST VALVE COLLAR	1	PC.
2	A0103-0091	SAFETY SPRING	2	PC.
3	A0200-1241	O-RING 49X1.8W	2	PC.
4	A0000-0441	NYLOK SCREW 6X45	4	PC.
5	A0005-0021	WASHER #6X1.5t	8	PC.
6	A0301-0241	CYLINDER CAP	1	PC.
7	A0204-0121	HANDLE GRIP	1	PC.
8	A0005-0281	WASHER	1	PC.
9	A0100-0041	COMPRESSION SPRING	1	PC.
10	A0103-0131	SPRING	1	PC.
11	K0300-0521	DISC VALVE ASSY	1	SET
12	A0200-0051	O-RING 13.8X2.4	1	PC.
13	A0200-0311	O-RING 50X2.5	1	PC.
14	A0308-0121	PISTON HEAD	1	PC.
15	A0311-0191	SEAL, AIR	1	PC.
16	K0600-0521	PISTON SET	1	SET
17	A0200-0131	O-RING 35X3.5	1	PC.
18	K0600-0522	PISTON HEAD & DRIVER BLADE	1	PC.
19	A0601-0221	DRIVER BLADE PISTON	1	PC.
20	A0600-0941	DRIVER BLADE	1	PC.
21	A0305-0041	COLLAR	1	PC.
22	A0200-0561	O-RING 58X3	1	PC.
23	K0300-0381	CYLINDER SET	1	SET
24	A0200-0371	O-RING 44.5X2.5	1	PC.
25	A0303-0271	CYLINDER	1	PC.
26	A0201-0031	RING	1	PC.
27	A0309-0231	BUMPER	1	PC.
28	A0205-0011	GASKET	1	PC.
29	A0311-0051	SEAL, AIR	1	PC.
30	A0005-0041	E-RING ϕ 2.5	1	PC.
31	A0401-0531	BODY	1	PC.
32	A0000-0071	SCREW 5X16	1	PC.
33	A0005-0031	WASHER #5X1.1t	6	PC.
34	A0004-0021	NYLON NUT M5	1	PC.
35	A0205-0021	GASKET	1	PC.
36	A0306-0002	TAIL COVER	1	PC.
37	B0300-0421	AIR PLUG+DUSTER	1	SET
38	A0005-0051	WASHER #4X0.9t	3	PC.
39	A0000-0021	SCREW 4X16	3	PC.
40	A0011-0151	SPRING PIN 3X28	1	PC.
41	A0006-0291	STEP PIN ϕ 5X28	1	PC.
42	A0011-0161	SPRING PIN 3X24	2	PC.
43	A0200-0061	O-RING 40X1	1	PC.
44	A0310-0071	NOZZLE WASHER	1	PC.
45	A0302-0011	LOWER COVER	1	PC.
46	A0000-0471	NYLOK SCREW 6X20	4	PC.
47	A0713-0121	OUTLET SITE	1	PC.
48	A0800-0011	STOPPER	1	PC.
49	A0000-0411	NYLOK SCREW 5X20	2	PC.
50	B0800-0011	CLICK LEVER SET	1	SET
51	A0713-0141	OUTLET SITE COVER	1	PC.
52	A0011-0301	PIN 3X14	1	PC.
53	A0011-0311	PIN 3X22	1	PC.
54	A0712-0191	CATCH GUIDE	1	PC.
55	A0006-0092	PIN 3X14	1	PC.
56	A0100-0761	SPRING	1	PC.
57	A0005-0231	C-RING	1	PC.
58	A0004-0151	SAFETY ADJUSTMENT WHEEL	1	PC.
59	A0711-0661	RELEASE CATCH (B)	1	PC.

Item No.	Part No.	Description	Qty	Unit
60	A0711-0901	JOINTER	1	PC.
61	A0711-0651	RELEASE CATCH (A)	1	PC.
62	A0100-0731	SAFETY SPRING	1	PC.
63	A0009-0011	STEEL BALL	1	PC.
64	A0204-0161	GRIP	1	PC.
65	K0500-0141	TRIGGER VALVE ASSY	1	SET
66	K0500-0051	TRIGGER SET	1	SET
67	A0204-0091	HANDLE GRIP	1	PC.
68	A0718-0091	TAIL COVER	1	PC.
69	A0000-0181	SCREW 5X10	3	PC.
70	A0706-0461	MAGAZINE SUPPORT	1	PC.
71	A0004-0001	HEX. NUT M5	4	PC.
72	A0702-0231	NAIL RAIL	1	PC.
73	A0000-0221	SCREW 5X8	3	PC.
74	A0712-0211	GUARD COVER	1	PC.
75	A0701-0691	MAGAZINE	1	PC.
76	A0004-0011	NYLON NUT M4	1	PC.
77	A0000-0571	SCREW 4*12	1	PC.
78	A0105-0021	SPRING PLATE	1	PC.
79	A0707-0651	PUSHER	1	PC.
80	A0102-0031	SPRING SET	1	PC.
81	A0005-0211	WASHER	1	PC.
82	A0000-0331	SCREW 5X6	1	PC.
83	A0703-0131	WHEEL GUIDE	1	PC.
84	A0101-0161	SPRING	1	PC.
85	A0707-0741	PUSHER SITE	1	PC.
86	A0006-0451	GUIDE PIN	2	PC.
<u>ACCESSORIES</u>				
A01	181434-7	OIL SUPPLY 30CC	1	PC.
A02	A0913-0021	HEX WRENCH 5	1	PC.
A03	A0913-0011	HEX WRENCH 4	1	PC.
A04	A0913-0001	HEX WRENCH 3	1	PC.